

# AUTODOME IP 4000i

www.boschsecurity.com



**BOSCH**  
Invented for life



The AUTODOME IP 4000i is a compact, indoor PTZ dome camera with a high-resolution 1080p60 HD sensor and a 12x optical zoom that allows operators to monitor wide scenes without losing any details. The camera's aesthetic design and flexible mounting options allow unobtrusive surveillance of large halls, reception areas, or waiting areas that would otherwise require multiple cameras for effective surveillance.

## Functions

### Superior imaging performance

Built on the digital imaging technology from Bosch, the camera is carefully tuned to maintain accurate color reproduction and to deliver high-resolution HD video with flexibility to zoom in to small details of objects.

### Pre-programmed user modes

The camera comes with 3 pre-tuned scene modes to match various lighting conditions found in indoor scenes. Users can complete the configuration without going through multiple imaging settings.

- Standard: For indoor fluorescent lighting.
- Sodium-lighting: For scenarios where the video is captured under sunlight in the day or under sodium vapor lamp at night.
- Vibrant: For enhanced contrast, sharpness, and saturation

- ▶ Perfect combination of style and technology for indoor installations that require high-quality imaging in a compact and aesthetic dome housing
- ▶ Integrated 12x optical zoom that clearly identifies people (90 m / 295 ft maximum) without loss of any identification details (250 pixels/m).
- ▶ Built-in Essential Video Analytics to trigger relevant alerts and quickly retrieve data
- ▶ Simple installation with flexible mounting options (in-ceiling or surface mounting)

### H.265 high efficiency video coding

The camera is designed on the most efficient and powerful H.264 and H.265/HEVC encoding platform. The camera is capable to deliver high-quality and high-resolution video with very low network load. With a doubling of encoding efficiency, H.265 is the new compression standard of choice for IP video surveillance systems.

### Intelligent streaming

Smart encoding capabilities, together with Intelligent Dynamic Noise Reduction technology and analytics, make the bandwidth consumption drop to extremely low levels. Only relevant information in the scene, like motion, or objects found with the analytics, need to be encoded.

The camera is capable of quad streaming which allows the camera to deliver independent, configurable streams for live viewing, recording, or remote monitoring via constrained bandwidths.

### Recording and storage management

Recording management can be controlled by the Bosch Video Recording Manager application, or the camera can use local storage and iSCSI targets directly without any recording software.

A memory card (SD, SDHC, or SDXC) up to 2 TB can be used for recording "at the edge" or for Automatic Network Replenishment (ANR) technology to improve the overall recording reliability.

Pre-alarm recording in RAM reduces bandwidth consumption on the network and extends the effective life of the memory card.

### **Essential Video Analytics on the edge**

The Essential Video Analytics application provides reliable video analytics for small and medium business, large retail stores, commercial buildings, and warehouses.

Advanced tasks like multiple line crossing, loitering, idle / removed object detection, crowd density estimation, occupancy and people counting are available for live alarming and forensic search. Object filters based on size, speed, direction, aspect ratio, and color can be defined.

A simplified calibration mode reduces installation time significantly, because you only need to enter the installation height once for each camera, independent of pre-positions.

After the camera is calibrated, the analytics engine can automatically classify objects as upright person, car, bike, or truck.

### **Data security**

Special measures are necessary to ensure the highest level of security for device access and data transport. On initial setup, the camera is only accessible over secure channels and enforces a password.

Web browser and viewing client access can be protected using HTTPS or other secure protocols that support state-of-the-art TLS 1.2 protocol with updated cipher suites including AES encryption with 256 bit keys. No software can be installed in the camera, and only authenticated firmware can be uploaded. A three-level password protection with security recommendations allows users to customize device access. Network and device access can be protected using 802.1x network authentication with EAP/TLS protocol. Superior protection from malicious attacks is guaranteed by the Embedded Login Firewall, on-board Trusted Platform Module (TPM) and Public Key Infrastructure (PKI) support.

The advanced certificate handling offers:

- Self-signed unique certificates automatically created when required
- Client and server certificates for authentication
- Client certificates for proof of authenticity
- Certificates with encrypted private keys

### **System integration and ONVIF conformance**

The camera conforms to the Open Network Video Interface Forum (ONVIF) Profile S and Profile G specifications. For H.265 configuration the camera also supports Media Service 2 which is part of the future ONVIF Profile T. Compliance with these standards guarantees interoperability between network video products regardless of manufacturer.

Third-party integrators can easily access the internal feature set of the camera for integration into large projects. Visit the Bosch Integration Partner Program (IPP) website ([ipp.boschsecurity.com](http://ipp.boschsecurity.com)) for more information.

### **Superior privacy masking**

The camera allows for a total of 24 individual privacy masks, with up to eight displayed in the same scene. These can be programmed with four corners each. Each mask changes size and shape smoothly and quickly, ensuring that the covered object cannot be seen.

### **PTZ drive and mechanism**

The camera supports 256 pre-positions and two styles of Guard Tours: Pre-position and Record/Playback. The Pre-position tour has capability for up to 256 pre-positions with a configurable dwell time between pre-positions and can be customized as to the order and the frequency that each Pre-position is visited. The camera also provides support for two (2) recorded tours, which have a total duration of 15 minutes of movements. These are recorded macros of an operator's movements, including pan, tilt, and zoom activities, and can be played back in a continuous manner.

Pan and tilt preset repeatability are accurate to within  $\pm 0.1$  degrees to ensure that the correct scene is captured every time. The camera delivers maximum pan speed of 160 degrees per second and maximum tilt speed of 120 degrees per second. The camera is capable of manual speeds (pan and tilt) of 0.1 to 120 degrees per second. The camera provides a pan range of up to 360 degrees continuous rotation.

### **Sophisticated alarm responses**

The camera supports advanced alarm control that uses sophisticated rules-based logic to determine how to manage alarms. In its most basic form, a "rule" could define which input(s) should activate which output(s). In a more complex form, inputs and outputs can be combined with pre-defined or user-specified commands to perform advanced camera functions.

### **Ease of installation and servicing**

The camera has been designed for quick and easy installation, a key feature from Bosch IP video security products.

Bosch designed the camera with the knowledge that field cables and mounts are installed before the camera is mounted. The installation concept allows a single person to connect the cables directly to the camera without re-routing cables. The camera is easily secured to the mount with a single screw. The three-step installation process can save up to 5 minutes per camera installation compared to any conventional PTZ dome.

The camera models are available with a choice of in-ceiling or surface mount.

In-ceiling models are ideal for suspended ceilings, flush-in for an aesthetic look.

Surface-mount models are designed for easy installation on hard ceilings or can be pendant-mounted on a wall or a pipe with the proper mounting hardware (sold separately).

#### DORI coverage

DORI (Detect, Observe, Recognize, Identify) is a standard system (EN-62676-4) for defining the ability of a camera to distinguish persons or objects within a covered area. The maximum distance at which a camera/lens combination can meet these criteria is shown below:

	DORI definition	Distance	
		WIDE 1X	TELE 12X
<b>Detect</b>	25 px/m (8 px/ft)	69 m (226 ft)	897 m (2943 ft)
<b>Observe</b>	63 px/m (19 px/ft)	27 m (89 ft)	356 m (1168 ft)
<b>Recognize</b>	125 px/m (38 px/ft)	14 m (46 ft)	179 m (587 ft)
<b>Identify</b>	250 px/m (76 px/ft)	7 m (23 ft)	90 m (295 ft)

#### Certifications and approvals

##### HD standards

- Complies with the SMPTE 274M-2008 Standard in:
  - Resolution: 1920x1080
  - Scan: Progressive
  - Color representation: complies with ITU-R BT.709
  - Aspect ratio: 16:9
  - Frame rate: 25 and 30 frames/s
- Complies with the 296M-2001 Standard in:
  - Resolution: 1280x720
  - Scan: Progressive
  - Color representation: complies with ITU-R BT.709
  - Aspect ratio: 16:9
  - Frame rate: 25 and 30 frames/s

Marking	Applicable Standard
cULus	<ul style="list-style-type: none"> <li>UL60950-1 (ed 2) (Includes CSA 22.2 No. 60950-1)</li> </ul>
FCC Part 15 (USA)	<ul style="list-style-type: none"> <li>47CFR Part 15</li> <li>ICES-003 (Canada)</li> </ul>

CE (Europe)	<b>Electromagnetic Compatibility (EMC) Directive</b> <ul style="list-style-type: none"> <li>EN 55032:2012/AC:2013</li> <li>EN 50130-4:2011/A1:2014</li> <li>EN 61000-3-2:2014</li> <li>EN 61000-3-3:2013</li> </ul> <b>Product Safety: Low Voltage Directive</b> (IECEE CB scheme certificate and report are required) <ul style="list-style-type: none"> <li>EN 60950-1:2006+A11:2009+A1:2010+A12:2011+A2:2013 (with national differences)</li> <li>IEC 60950-1 (ed 1)</li> </ul>
Other labels / markings	<ul style="list-style-type: none"> <li>RCM, EAC, WEEE, China RoHS</li> </ul>

#### Technical specifications

Imager	1/2.8" progressive scan CMOS
Effective Picture Elements	1945 x 1097 (2.13 MP)
Lens Focal Length	12x Zoom 5.3 mm to 64 mm (F1.6 to F2.8)
Field of View (FOV)	4.9° to 58.5°
Focus	Automatic with manual override
Iris	Automatic
Digital zoom	16x

#### Video performance – Sensitivity

(3100K, reflectivity 89%, 1/30, F1.6, 30 IRE)

Color	0.05 lx
Mono	0.01 lx
WDR	94 dB
Electronic Shutter Speed (AES)	1/30 s to 1/15000 s (12 steps)
Signal-to-noise Ratio (SNR)	>55 dB (AGC off)
Noise Reduction	Intelligent Dynamic Noise Reduction
Backlight Compensation (BLC)	On/Off
Intelligent Defog	Automatically adjusts parameters for best picture in foggy or misty scenes (Auto/Off)
White Balance	Standard Auto, Sodium Lamp Auto, Basic Auto, Manual, Hold, Dominant Color Auto
Day/Night	Mechanical switchable IR filter (Auto/On/off) Monochrome

**Video content analysis**

Analysis type	Essential Video Analytics
Configurations	Silent VCA / Profile1 - 16
Alarm rules (combinable)	Any object Object in field Line crossing Enter / leave field Loitering Follow route Idle / removed object Counting Occupancy Crowd density estimation Condition change Similarity search
Object filters	Duration Size Aspect ratio Speed Direction Color Object classes (4)
Calibration	Automatic self-calibrating when height is set

**Mechanical**

Pan/Tilt Modes	Normal: 0.1°/s - 120°/s Turbo: Pan: 0.1°/s - 160°/s; Tilt: 0.1°/s - 120°/s
Pre-position Speed	Pan: 160°/s Tilt: 120°/s
Pan Range	360° continuous
Tilt Angle	-90° to 0°
Preposition Accuracy	± 0.1° typ.
Pre-positions	256
Tours	Two (2) types of tours: <ul style="list-style-type: none"> <li>Recorded tours: two (2), maximum total duration 15 minutes (depending on the amount of commands sent during recording)</li> <li>Pre-position tour: one (1), consisting of up to 256 scenes consecutively, and one (1), customized up to 64 scenes</li> </ul>

**Electrical**

Input voltage	24 VAC and PoE+
Power consumption	24 VAC: 12 W PoE+: 12 W

**Software Control**

Unit discovery	IP helper
Camera Setup/Control	Via web browser (such as Internet Explorer version 11.0 or later), Configuration Manager, Bosch VMS, or Video Client
Software	Update network firmware upload
Latest firmware and software	<a href="http://downloadstore.boschsecurity.com/">http://downloadstore.boschsecurity.com/</a>

**Network**

Video compression	H.265 H.264 M-JPEG
Streaming	Multiple configurable streams in H.265, H.264, and M-JPEG; configurable frame rate and bandwidth.
Frame rate	60fps at all resolutions
Resolution	1080p 720p D1 4:3 (cropped) SD (432p, 288p)
Ethernet	10/100BASE-T
Protocols	IPv4, IPv6, UDP, TCP, HTTP, HTTPS, RTP/RTCP, IGMP V2/V3, ICMP, ICMPv6, RTSP, FTP, Telnet, ARP, DHCP, APIPA (Auto-IP, link local address), NTP (SNTP), SNMP (V1, MIB-II), 802.1x, DNS, DNSv6, DDNS (DynDNS.org, selfHOST.de, no-ip.com), SMTP, iSCSI, UPnP (SSDP), DiffServ (QoS), LLDP, SOAP, Dropbox, CHAP, digest authentication
Interoperability	ONVIF Profile S, ONVIF Profile G; GB/T 28181

**Audio**

Compression	G.711, 8kHz sampling rate L16, 16kHz sampling rate AAC, 16kHz sampling rate
Interface	1/1 Channel In/Out

**Local Storage**

Memory card slot	Support a memory card with a maximum of 32 GB microSDHC / 2 TB microSDXC (user-supplied). (An SD card of Class 6 or higher is recommended for HD recording.)
------------------	--

**Miscellaneous**

Sector/Titling	16 independent sectors with 20 characters per title
Privacy Masks	24 individually configurable privacy masks

Privacy Masks pattern	Black, White, Gray, Auto
Supported Languages	English, German, Spanish, French, Italian, Dutch, Polish, Portuguese, Russian, Japanese, Chinese (simplified)

### User Connections

Power	RJ45 10/100 Base-T PoE+ (IEEE 802.3at, class 4 standard) 21-30 VAC, 50/60 Hz
Alarm Inputs	2
Alarm Outputs	1 relay output 32 VDC, 150 mA max.
Audio	1x mono line in, 1x mono line out
• Signal line in	94 kOhm typical, 1 Vrms max.
• Signal line out	1 kOhm typical, 1 Vrms max.

### Environmental (pendant model)

Ingress Protection Rating/ Standard	IP65
IK Rating	IK10
Operating temperature	-10 °C to +55 °C (+14 °F to +131 °F)
Humidity	Up to 90% RH, non-condensing
Storage temperature	-40 °C to +60 °C (-40 °F to +140 °F)

### Environmental (in-ceiling model)

Ingress Protection Rating/ Standard	IP51
Operating temperature	-10 °C to +55 °C (+14 °F to +131 °F)
Humidity	Up to 90% RH, non-condensing
Storage temperature	-40 °C to +60 °C (-40 °F to +140 °F)

### Construction (pendant model)

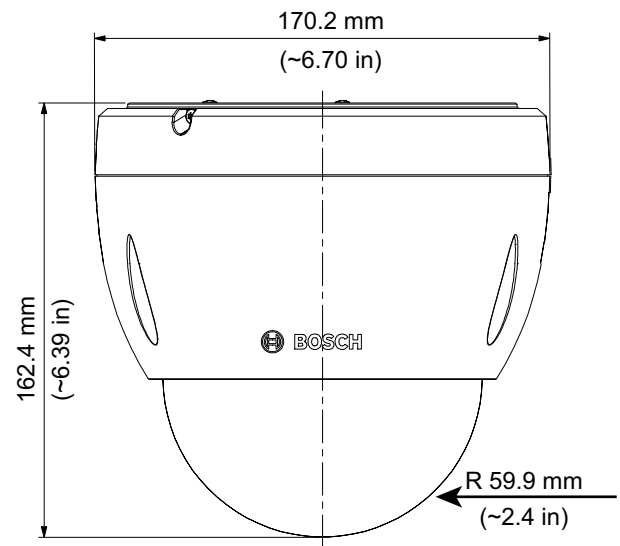
Dimensions (DIA x H)	170.2 mm x 162.4 mm (6.7 in x 6.39 in)
Weight	1.88 kg (4.14 lb)
Construction material	Housing: Aluminum Bubble: Polycarbonate
Standard color	White (RAL 9003)

### Construction (in-ceiling model)

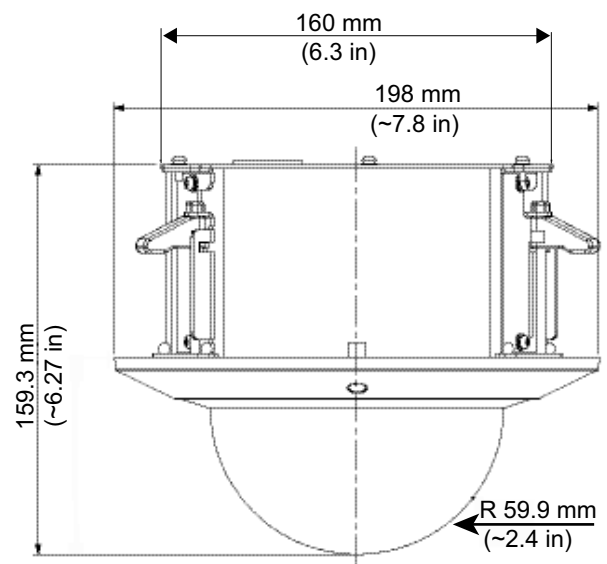
Dimensions (DIA x H)	198 mm x 159.3 mm (7.8 in x 6.27 in)
Weight	1.81 kg (3.99 lb)
Construction material	Housing: SPCC Trim ring: PC/ABS Bubble: Polycarbonate
Standard color	White (RAL 9003)

### Dimensional Drawings

All dimensions in the drawings are in mm (inch).



Pendant model



In-ceiling model

## Ordering information

**NDP-4502-Z12 PTZ dome 2MP 12x clear indoor surface**  
IP dome camera with clear bubble and indoor pendant housing. 12x zoom, 1080p HD. Essential Video Analytics, Intelligent Dynamic Noise Reduction, remote camera access, and dual power options.  
Order number **NDP-4502-Z12**

**NDP-4502-Z12C PTZ dome 2MP 12x clear indoor in-ceiling**  
IP dome camera with clear bubble and indoor in-ceiling housing. 12x zoom, 1080p HD. Essential Video Analytics, Intelligent Dynamic Noise Reduction, remote camera access, and dual power options.  
Order number **NDP-4502-Z12C**

### Accessories

**NDA-4020-PIP Pendant interface plate AUTODOME 4000**  
Pendant interface plate to mount AUTODOME IP 4000i camera to NDA-U-WMT or NDA-U-PMT.  
Order number **NDA-4020-PIP**

**UPA-2450-50 PSU, 220VAC 50Hz, 24VAC 50VA out**  
Indoor power supply for camera. 220 VAC, 50 Hz in; 24 VAC, 50 VA out  
Order number **UPA-2450-50**

**UPA-2450-60 PSU, 120VAC 60Hz, 24VAC 50VA out**  
Indoor power supply for camera. 120 VAC, 60 Hz In; 24 VAC, 50 VA Out  
Order number **UPA-2450-60**

**NPD-6001A Midspan, high PoE, single port, AC in**  
High Power, 60 W Single Port PoE Midspan with AC in  
Order number **NPD-6001A**

**NDA-U-PA0 Surveillance cabinet 24VAC**  
Power supply box, no transformer, IP66  
Order number **NDA-U-PA0**

**NDA-U-PA1 Surveillance cabinet 120VAC**  
Power supply box with a 120 VAC transformer, IP66  
Order number **NDA-U-PA1**

**NDA-U-PA2 Surveillance cabinet 230VAC**  
Power supply box with a 230 VAC transformer, IP66  
Order number **NDA-U-PA2**

**NDA-U-WMT Pendant wall mount**  
Universal wall mount for dome cameras, white  
Order number **NDA-U-WMT**

**NDA-U-PMT Pendant pipe mount, 31cm / 12in**  
Universal pipe mount for dome cameras, 31 cm, white  
Order number **NDA-U-PMT**

**NDA-U-PMTE Pendant pipe extension pipe 50cm / 20in**  
Extension for universal pipe mount, 50 cm, white  
Order number **NDA-U-PMTE**

**NDA-U-CMT Corner mount adapter**  
Universal corner mount, white  
Order number **NDA-U-CMT**

**NDA-U-PSMB Pendant wall/ceiling mount SMB**  
Surface mount box (SMB) for wall mount or pipe mount.  
Order number **NDA-U-PSMB**

**NDA-U-PMAL Pole mount adapter large**  
Universal pole mount adapter, white; large  
Order number **NDA-U-PMAL**

**NDA-U-WMP Wall mount plate**  
Back plate for universal wall mount, corner mount and pole mount, white, IP66  
Order number **NDA-U-WMP**

**NEZ-A4-SMB Surface mount box**  
Surface mount kit for AUTODOME IP 4000 HD. White.  
Order number **NEZ-A4-SMB**

**VGA-IC-SP Suspended ceiling support kit,7"**  
Suspended ceiling support kit for dome cameras. Aperture Ø177 mm (Ø7 in). Maximum supported weight 11.3 kg (25 lb).  
Order number **VGA-IC-SP**

**NDA-4020-PLEN Plenum box for PTZ dome**  
In-ceiling housing for plenum spaces for AUTODOME IP 4000i and AUTODOME IP 5000i cameras. Available in specific regions only.  
Order number **NDA-4020-PLEN**

**NDA-4020-PTBL Tinted bubble for PTZ dome**  
Tinted bubble for pendant models of AUTODOME IP 4000i cameras.  
Order number **NDA-4020-PTBL**

**NEZ-A4-BUB-CTIP Bubble, tinted, for in-ceiling model**  
Tinted bubble for in-ceiling model of AUTODOME IP 4000i cameras.  
Order number **NEZ-A4-BUB-CTIP**

**Represented by:**

**Europe, Middle East, Africa:**  
Bosch Security Systems B.V.  
P.O. Box 80002  
5600 JB Eindhoven, The Netherlands  
Phone: + 31 40 2577 284  
emea.securitysystems@bosch.com  
emea.boschsecurity.com

**Germany:**  
Bosch Sicherheitssysteme GmbH  
Robert-Bosch-Ring 5  
85630 Grasbrunn  
Germany  
www.boschsecurity.com

**North America:**  
Bosch Security Systems, Inc.  
130 Perinton Parkway  
Fairport, New York, 14450, USA  
Phone: +1 800 289 0096  
Fax: +1 585 223 9180  
onlinehelp@us.bosch.com  
www.boschsecurity.us

**Asia-Pacific:**  
Robert Bosch (SEA) Pte Ltd, Security Systems  
11 Bishan Street 21  
Singapore 573943  
Phone: +65 6571 2808  
Fax: +65 6571 2699  
apr.securitysystems@bosch.com  
www.boschsecurity.asia